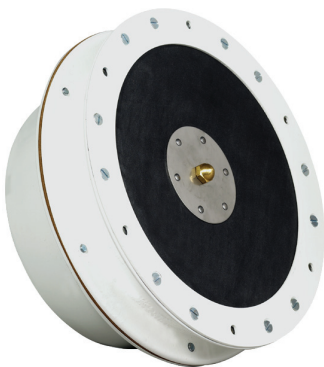
**BANTAM BIN-DICATOR®**

- 5 3/4" diameter
- 2 diaphragm material options
- Light duty

**AUTO-BIN-DICATOR®**

- 8" diameter
- Cast aluminum housing
- Neoprene or SS diaphragm material
- Medium duty

**MODEL 'A'**

- 10 1/4" diameter
- Explosion proof model avail.
- 7 diaphragm material options
- Heavy duty

DESCRIPTION The original electromechanical point level switch, Bin-Dicator® diaphragm-type level controls were the first to enjoy general usage in the industry. Bin-Dicator® controls eliminate bin overflow, empty bins, clogged conveyors, choked elevators and resulting damage and waste.

HOW IT WORKS The Bin-Dicator® control is a pressure actuated switch for use with free flowing bulk materials at atmospheric pressures. Actuation of the switch is the result of pressure exerted by the bulk material against the diaphragm assembly. De-actuation or switch release is a result of the bulk material clearing away from the diaphragm.

FEATURES AND BENEFITS**Simple and Rugged Construction**

- Can be mounted outside the bin for lower installation costs.

Simple Operating Mechanism

- Makes entire unit readily accessible for inspection, resulting in lower maintenance costs.

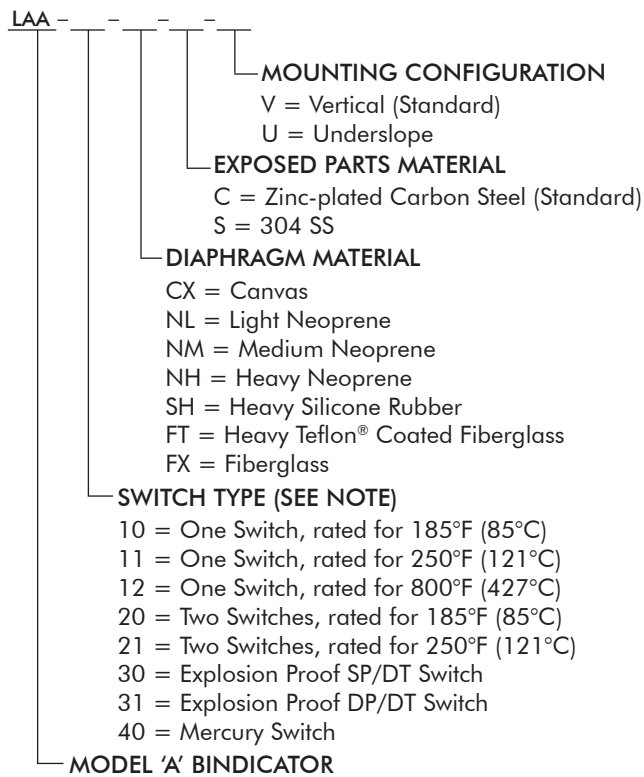
Many Variations Available

- For use in a wide range of dry materials and conditions of temperature, corrosion and moisture.

SPDT Switch

- No need to power electronics.

HOW TO ORDER Model 'A'



Note: High-temperature switches not available with neoprene diaphragms.

HOW TO ORDER Bantam Bin-Dicator®

Diaphragm Material	One Switch	Two Switches
Neoprene (light)	B-1-N, LAB101800	B-2-N, LAB101936
Teflon® Neoprene	B-1-LT, LAB101808	B-2-LT, LAB101944

Note: Specify if all metal parts exposed within the bin need to be stainless steel.

HOW TO ORDER Auto-Bin-Dicator®

Diaphragm Material	General Purpose	Explosion-proof
Neoprene	AB-R, LAD101701	NA
T-302 SS	AB-S, LAD101700	ABX-S, LAD101716

Note: Specify if all metal parts exposed within the bin need to be stainless steel.

SPECIFICATIONS

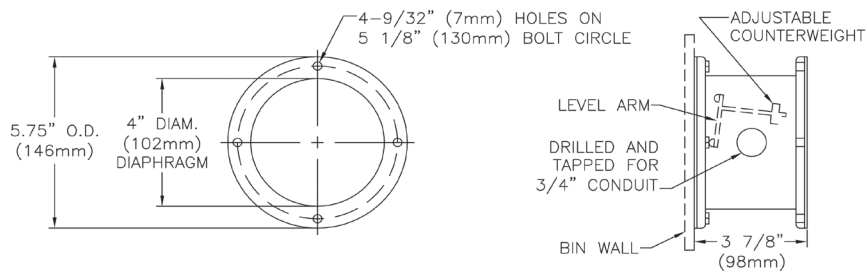
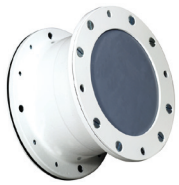
FUNCTIONAL SPECS	
Switch	General Purpose SPDT; may be wired for normally open (NO) or normally closed (NC) operation
	AC Rating 15 amp @ 125, 250 or 480 VAC
	DC Rating 1/2 amp @ 125 VDC; 1/4 amp @ 250 VDC
	HP Rating 1/8 HP @ 125 VAC
Temperature	Explosion-Proof; single-pole double-throw or double-pole double-throw
	1.0 of calibrated span (combined linearity, hysteresis, stability) between 0° and 150° F
Optional	185° F (85° C) standard, Auto and Bantam
	250° F (121° C), 800° F (427° C); Auto and Model "A"
PERFORMANCE SPECIFICATIONS	
Frame	Polyester-coated aluminum casting
Cover	Polyester-coated aluminum casting (Auto and Bantam)
	Standard durable ABS white plastic (Model "A")
Construction	Weather-proof or explosion-proof (Auto)
Diaphragms	Neoprene, Stainless Steel (Auto), Aluminum (Bantam), Steel galvanized back plate; Steel polyester washer (Model "A")
Gasket	Rubber (Bantam), Fiber (Model "A")
Mounting	Can be mounted on underslopes up to 45 degree (Bantam & Model "A")
Shipping Weight	Aluminum 8 lbs (Auto & Bantam), Aluminum 10 lbs (Model "A")
APPROVALS	
	General Purpose: UL, CSA Hazardous Location: UL; Class 1, Groups C & D, Class II, Groups E, F, G CSA: Class 1, Groups C & D, Class II, Groups E, F, G

DIAPHRAGM SELECTION

Diaphragm Material	Max. Temp	Product Wt. Cu./Ft.	Application Remarks
Neoprene Rubber (light)	170° F (77° C)	10-40	Highest sensitivity, abrasion resistant
Neoprene Rubber (medium)	170° F (77° C)	30-100	Strong, resists abrasion, low temperatures
Neoprene Rubber (heavy)	170° F (77° C)	100-350	Strong, resists abrasion, low temperatures
Canvas	200° F (93° C)	10-60	Powders only
Fiberglass	1000° F (538° C)	25-100	Very high temp-see switch temperatures
T-302 SS	800° F (427° C)	30 Min.	Auto-Bin-Dicator® only
Silicone Rubber (heavy)	450° F (232° C)	50-150	Extreme low to medium-high temperature
Teflon® Coated Fiberglass (heavy)	400° F (204° C)	50-150	Corrosion resistant, medium-high temperatures

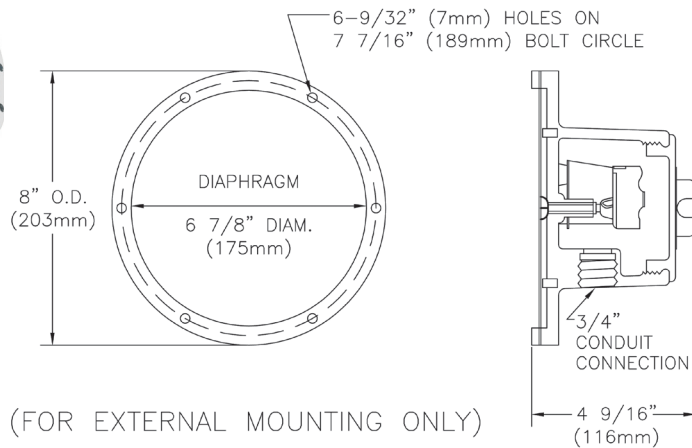
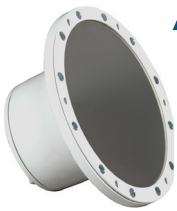
Note: For high temperature applications, special switches may be required in addition to proper diaphragm selection. Please consult factory.

Bantam Bin-Dicator® Dimensions



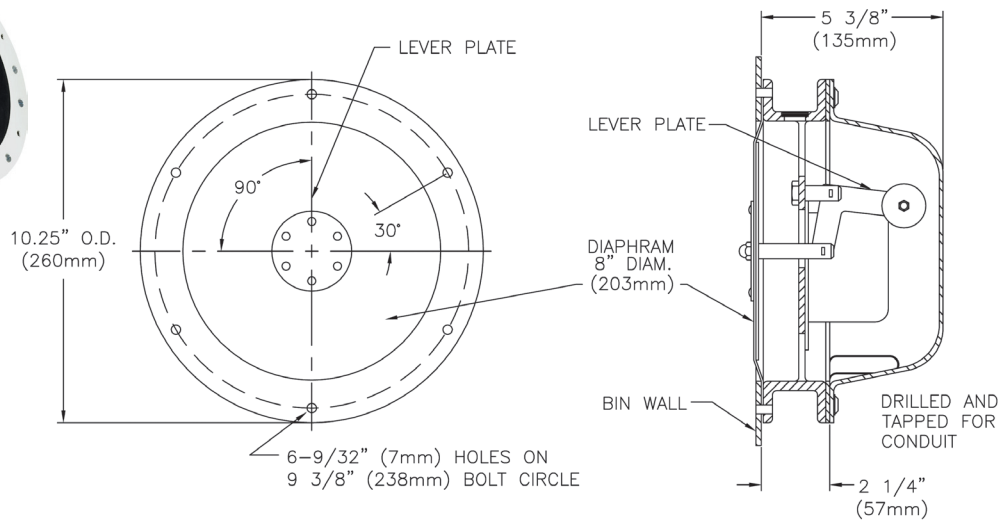
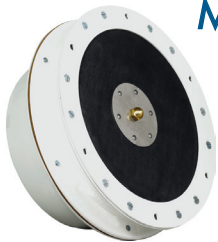
(FOR EXTERNAL MOUNTING ONLY)

Auto-Bin-Dicator® Dimensions



(FOR EXTERNAL MOUNTING ONLY)

Model 'A' Dimensions



(FOR EXTERNAL MOUNTING ONLY)



150 Venture Boulevard · Spartanburg, SC 29306
Tel: (800) 778-9242 · (864) 574-8060
Fax: (864) 574-8063
E-mail: sales@bindicator.com
www.bindicator.com

venture
MEASUREMENT

LAA180070 Rev. F

2012 All rights reserved.

All data subject to change without notice.